



Detachable DVI Extension Module, M1-201SA-TR

Description

The Digital Visual Interface is a high-quality, uncompressed data link between a host processor video card and a display peripheral. Optical technology for this transmission stretches the performance beyond the limitations of copper wire with longer length, data security, negligible RFI/EMI and the elimination of costly analog distribution systems.

The EDID in a display can be read and restored by just plugging the transmitter to the display. This self EDID programming feature makes the installation of M1-201SA more easy and flexible at any variable resolution display systems.

The four (4) optical data, Red, Green, Blue and clock can be extended up to 500 meters (1,640ft) over a pair of LC duplex multi-mode fibers at WUXGA (1,920x1,200) at 60Hz vertical refresh.

An external power adapter is required for the receiver module, while most video cards can provide +5VDC power to the transmitter module. The transmitter and receiver modules are clearly labeled to prevent reverse installation of the modules.

Specification

- Extends all VESA resolution up to WUXGA (1920 X 1200) 60Hz DVI data up to 500 meters (1,640 feet).
- Detachable feature with a pair of duplex LC **multi-mode** fibers.
- Offers self EDID programming feature, detecting from a display and restoring to an EEPROM in the transmitter just by plugging to the display without any physical DDC connection.
- The modules are compact enough to directly plug to graphic sources and displays by adopting DVI-plugs.
- Includes two (2) +5V DC power adapters for the transmitter and receiver.
- Data security with negligible RFI/EMI emissions and loss of video quality due to no copper conductor present.
- Certifications: UL/EN 60601-1, 60601-1-2:1994, CE / FCC, Class 1 Laser Eye Safety

Applications

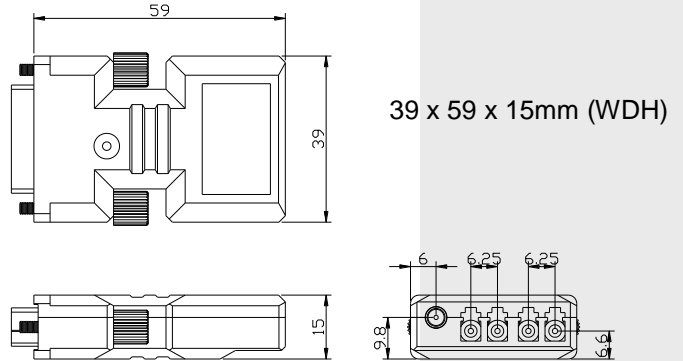
- Train Cars
- Ferry Boat
- Shopping Mall & Restaurant
- Airport
- Sports Bar & Amusement Café

Detachable DVI Extension Module, M1-201SA-TR

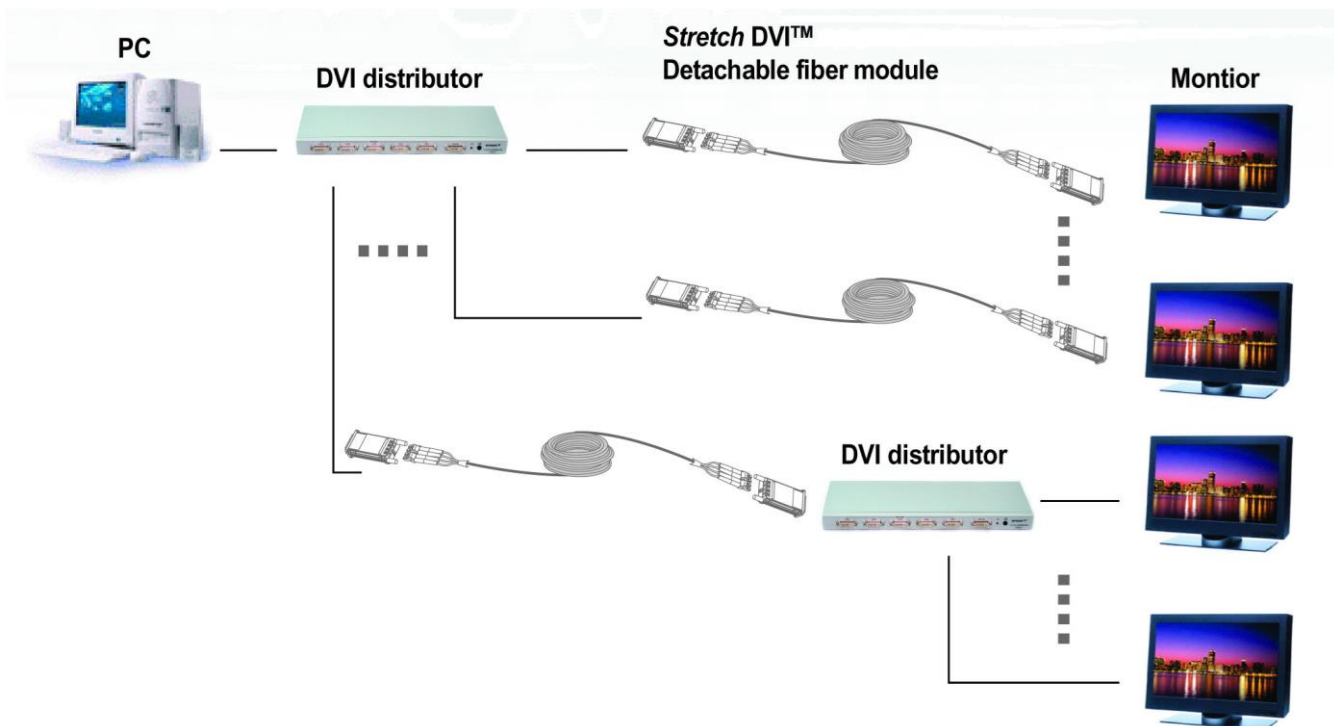
Operating Conditions

Operating Condition	Temperature (°C)	0 to 40 (Medical) 0 to 50 (General)
	Relative humidity (%)	10-85
	Atmospheric Pressure (hPa)	700 – 1060
Transport and Storage Condition	Temperature (°C)	-30-70
	Relative humidity (%)	10-95
	Atmospheric Pressure (hPa)	500 - 1060

Dimension



Connection Diagram



Opticis Co., Ltd.
 3F, 305, Sanseong-daero Sujeong-gu
 Seongnam-si, Gyeonggi-do, 13354 South Korea
 Tel: +82 (31) 719-8033
 Fax: +82 (31) 719-8032

tosales@opticis.com



All contents are subject to be changed without prior notice.